

Tubular handles with power switching function

SPECIFICATION

Types

- Type **T0**: without button
- Type **T1**: with 1 button
- Type **T2**: with 2 buttons

Identification no.

- Version **1**: without emergency stop
- Version **2**: with emergency stop

Door opening

- Version **L**: left
- Version **R**: right

Tube Ø 30 x 1.5
Aluminium

plastic coated
black, RAL 9005, textured finish **SW**
anodized, natural colour **EL**

Handle shanks

Zinc die casting
plastic coated
black, RAL 9005, textured finish

Cover caps

(for version without emergency stop)
Plastic
light grey
Temperature range: -25°C to 55 °C

INFORMATION

Tubular handles GN 332 with power switching function are suitable for unlocking safety tumblers in rotating, detachable or side-sliding safety devices which must be closed in order to safeguard the required operational safety.

By integrating functions such as emergency stop, start, release, reset and LED status display, this tubular handle allows the machine to be monitored and operated directly at the door or gate.

Tubular handles GN 332 save mounting and installation work, are attractively designed and optimise ergonomics: the switching and operating functions are located precisely where they are needed.

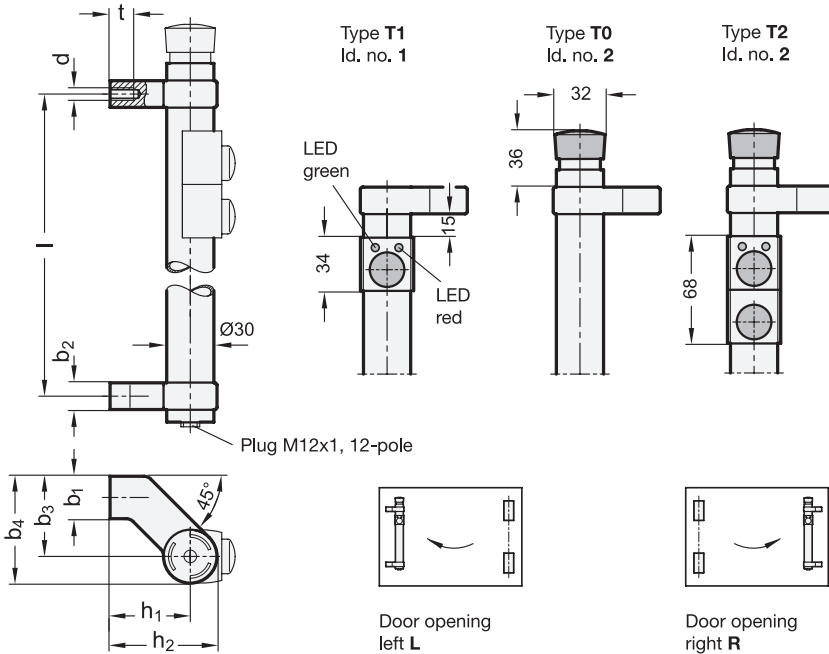
ACCESSORY

- Cables with connector GN 330 (see page 1448)

TECHNICAL INFORMATION

- Load rating information (see page A35)





* Complete with colour index of the Tubular handles (SW or EL)

SW EL
 RAL9005 anodized

GN 332

Description	l ±0.25	d	b1	b2	b3	b4	h1	h2	t min.	⚖
GN 332-200-*-T0-2-L	200	M 8	27	17	51	68	51	68	15	550
GN 332-300-*-T0-2-L	300	M 8	27	17	51	68	51	68	15	758
GN 332-200-*-T0-2-R	200	M 8	27	17	51	68	51	68	15	574
GN 332-300-*-T0-2-R	300	M 8	27	17	51	68	51	68	15	757
GN 332-200-*-T1-1-L	200	M 8	27	17	51	68	51	68	15	570
GN 332-200-*-T1-2-L	200	M 8	27	17	51	68	51	68	15	588
GN 332-300-*-T1-1-L	300	M 8	27	17	51	68	51	68	15	756
GN 332-300-*-T1-2-L	300	M 8	27	17	51	68	51	68	15	940
GN 332-200-*-T1-1-R	200	M 8	27	17	51	68	51	68	15	558
GN 332-200-*-T1-2-R	200	M 8	27	17	51	68	51	68	15	580
GN 332-300-*-T1-1-R	300	M 8	27	17	51	68	51	68	15	745
GN 332-300-*-T1-2-R	300	M 8	27	17	51	68	51	68	15	778
GN 332-200-*-T2-1-L	200	M 8	27	17	51	68	51	68	15	500
GN 332-200-*-T2-2-L	200	M 8	27	17	51	68	51	68	15	605
GN 332-300-*-T2-1-L	300	M 8	27	17	51	68	51	68	15	752
GN 332-300-*-T2-2-L	300	M 8	27	17	51	68	51	68	15	792
GN 332-200-*-T2-1-R	200	M 8	27	17	51	68	51	68	15	598
GN 332-200-*-T2-2-R	200	M 8	27	17	51	68	51	68	15	604
GN 332-300-*-T2-1-R	300	M 8	27	17	51	68	51	68	15	753
GN 332-300-*-T2-2-R	300	M 8	27	17	51	68	51	68	15	800





Characteristics of the standard execution GN 332

The tubular handles have the CE marking, low voltage guideline 2014 / 35 / EU		
Emergency stop	2 channel, Breaker	
1st button with 2 LED	Changover contact	
	LED, red and green	
2nd button	Maker	
Contact termination, Pin configuration	Plug M12x1, 12-pole	
Switching voltage / Switching current	max. 24 V DC / max. 0.5 A	
Operating voltage (LEDs)	24 V DC ± 15 % / 10 mA	
Protection class	IP 67 (in screwed condition)	
Button colour	for each button a set of caps is included, in this colours: red, green, blue	
Additional variants as special application		
Emergency stop	1 channel	
Number of buttons >2 Button special with	Maker	
	Breaker	
	Changeover contact	
Button with labelling area		

U-Handles 4